

PANEL COOKER TFL-0.36*)

The cooker is most suitable for equator-area, but with tilting against the sun it operates well everywhere, where the sun is shining between 9-15.

The cooker needs aiming against the sun about once in hour, about 15 degrees

The black pot, 2 – 3 litres with flat bottom is necessary *) The aperture area is 0.36 m²

Reflector

The best material over reflecting sides is cell (card) plastic like "Propwell", what is also durable against moisture. (Cardboard and plywood are possible only for short time)

It is possible to make the box of one Propwell sheet 1000x1500 mm, or of several pieces.

The measures are in the picture.

The sides are easy to bend from the big sheet as marked -----

The seams can be taped with normal plastic tape first outside.

The bright aluminium foil can be glued easiest in spreading the white-glue on inner sides.

Then tape the inside seams with reflecting tape.

Black plate

The black plate 290x290 mm is necessary in the centre of the reflector. 1–1.5 mm aluminium or steel sheet. Painting black is very important.

Cover

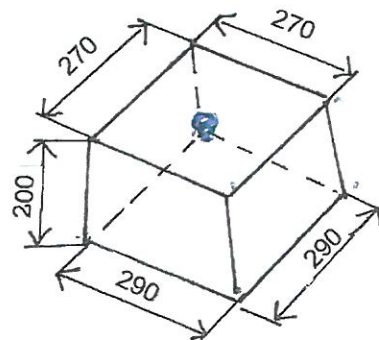
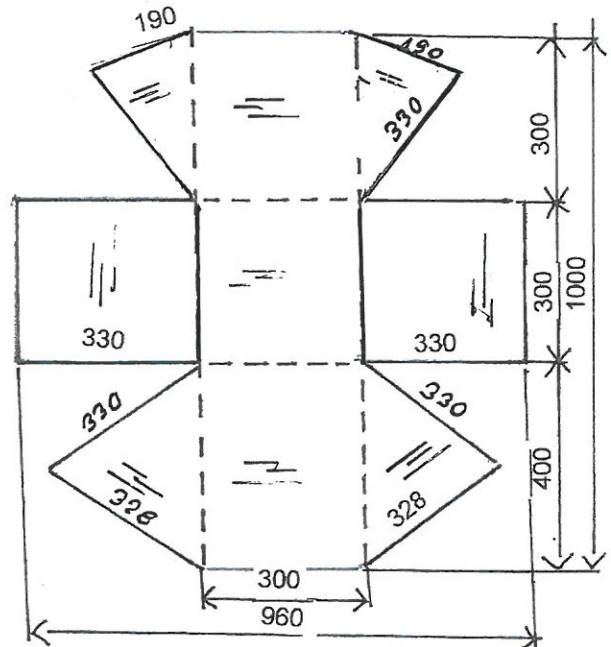
The plastic cover for the pot must last over 100 degree Celsius temperature. The best material is 0.8 – 1 mm polycarbonate sheet.

After cutting the 5 pieces after measures, the corners shall be taped with transparent tape, which will last the temperature over 100 degrees C.

At least put the wooden knob in the middle of the cover with screw.

Material needed:

- 1 m² Propwell sheet, 5-3 mm
- 1 m² Bright aluminium foil
- 0.1. litre white-glue
- 2 m plastic tape 30-40 mm
- 1.5 m reflecting tape 20 mm
- 0.3 m² polycarbonate sheet, 1 mm
- 2 m transparent tape 20 mm
- 0.08 m² metal palte 1-1.5 mm steel or aluminium
- 0.01 litre black paint
- 1 screw 5 x 20 mm



IMPORTANT:

THE POT IS HOT, ALWAYS USE POTHOLDERS!

REMEMBER THAT THE BIGGER AMOUNT OF FOOD NEEDS MORE TIME!

NICE COOKING!

More information and comments from Technology for Life (TFL)
Helsinki. Finland. tep@kaapeli.fi